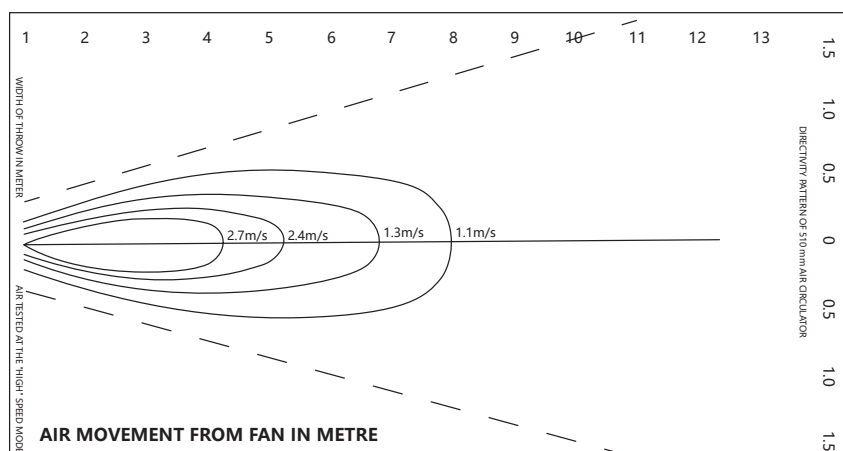


FW51JC



(外置電容器) 掛牆強力工業風扇

- 單相電機，電容輔助起動，及配備三速開關制。
- 全金屬電容器按 IEC60252 之標準檢測，規格為 S2, Class A. 壽命達30,000小時。
電容器安裝在外置金屬盒內，既安全，又方便於維修及檢查。
- E 級絕緣，內置恆溫器保護裝置，220 - 240 V. 1 Ph, 50 Hz。
- 扇葉採用鋁合金壓鑄沖壓而成。扇葉均進行嚴謹的平衡工序。
- 金屬風扇網外表經靜電噴塗處理，美觀耐用。
- 風扇搖擺角度特大，並可自行調整。
- 備有外置電容器及外置開關，並配有1.5米長3芯電源線及標準掛牆配件。
- 所有銷售型號之風扇均按 IEC60335-2-80 之標準進行測試，並已領有歐盟之安全認證。
- 功率因數 (Power Factor) =0.97。

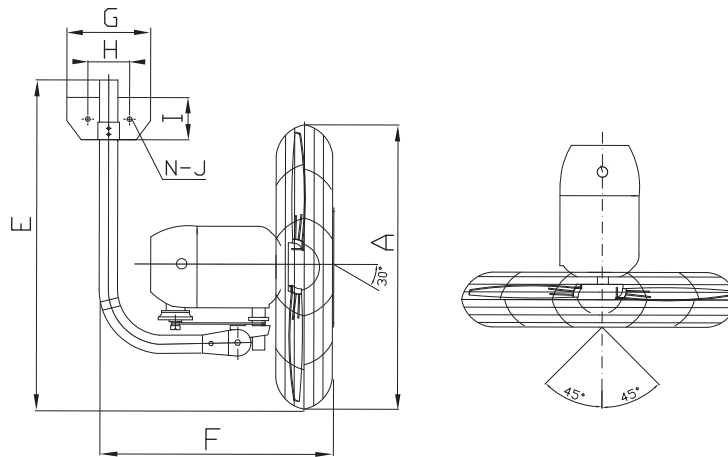


性能參數表

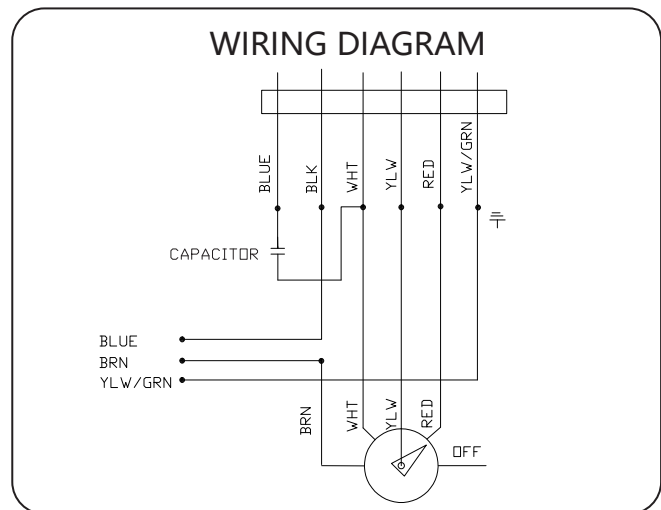
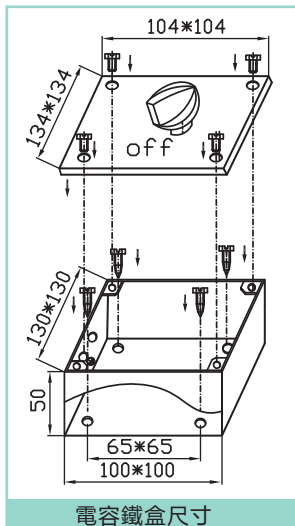
| 型號 (香港規格) | 型號說明 | 扇葉直徑 inch/mm | 額定電壓 V/Ph/Hz | 檔位 | 功率 W | 轉速 RPM | 風量 m ³ /h | 噪音 dB (A) |
|--------------|---------------|-----------------|-----------------|----|---------|-----------|-------------------------|--------------|
| FW51JC | 外置開關 掛牆密網扇 | 20" / 510 | 220-240/1/50 | 1檔 | 110 | 1200 | 5600 | 54 |
| | | | | 2檔 | 125 | 1300 | 6200 | 58 |
| | | | | 3檔 | 140 | 1400 | 6800 | 65 |

噪音值是在距離風扇2米測量

產品安裝尺寸 (mm) 及維護



| Model No | A | E | F | G | H | I | N-J | G.W(kg) |
|----------|-----|-----|-----|-----|-----|-----|----------------|---------|
| FW51JC | 568 | 725 | 490 | 190 | 113 | 111 | 2- ϕ 12.5 | 11.5 |



INSTALLATION PROCEDURE FOR WALL MOUNTING FAN

REAR GUARD BLADE FRONT GUARD

MOTOR

safety pin

>2.3m

1. Secure the iron base mount onto the wall.
Insert the bend pipe, adjust the height of the wall fan (at least 2.3 meter from the ground floor) and secure by the screws.
2. Hold the rear guard on the motor, and fasten by the set screw.
Fit the blade onto the shaft, and secure by the screw. Then, fix the rear fan guard.

OPERATION INSTRUCTIONS

1. Voltage varies between countries. The local power supply must be compatible with the technical data shown on the motor data label before the fan is connected to the power source.
2. The plug must be inserted to an earthed socket, which complies with the Safety Regulation of the local authority.
3. For safety purpose, the wall fan is to be installed so that the blades are more than 2.3 metres above the floor.
4. For smooth oscillation of fans, a slack of 0.4m should be left when securing power cord from motor to stand tube or wall tube.(note tag on power cord).
5. For safety purpose, the recommended maximum height for the Pedestal unit is 1.25 meters. (Care must be taken during adjusting the height of the standing fan).
 - > Grip the rubber handle at the top of the inner tube
 - > Using the allen key provided unfasten the screws and adjust the fan to the desirable height.
 - > Tighten the screw and put the allen key back in its pocket at the rubber handle.
6. The fan is fitted with a 3-speed, on & off rotary switch to adjust air velocity (1-low, 2-medium, 3-high and stop/off fan operation).
7. Always turn off the power at the power point and remove plug when maintenance or cleaning is carried out. Failing to do so may cause electric shock or injury as the fan may activate suddenly.
8. When cleaning is carried out
 - > Turn off the power at the power point and remove the plug.
 - > Remove the front guard
 - > Remove the blade from the motor by loosening the blade fixing screw.
 - > Remove the rear guard.
 - > Remove dirt with a cloth moistened with lukewarm water or a household neutral detergent and wipe dry after cleaning.
 - > When re-assembling, use the reverse order of disassembling.Ensure impeller blade is secure and tight on motor shaft.
9. For the best performance and safety, the fan must not be used when:
 - a. Temperature is lower than -15°C or higher than $+40^{\circ}\text{C}$.
 - b. Humidity (at 25°C) is exceeding 90%.
 - c. In a corrosive environment, such as factory producing corrosive chemical.
10. Never try to disassemble, service or modify the fan.This may cause fire, abnormal activation, electric shock or injury. For servicing, contact the store where you purchased the fan.
11. Do not operate the fan without the blade and the guard installed. Doing so may cause injury.
12. Do not damage,forcibly bend, twist,pull or put a heavy object on the supply cord. Doing so may cause electric shock or a short circuit if used whilst damaged. If the supply cord is damaged, it must be replaced with a new cord by the manufacturer ,its service agent or similarly qualified persons in order to avoid a hazard.
13. The fan motor is fitted with a thermal protection device.

If a fault occurs, the fan may start and stop intermittently without warning. This may occur due to irregular power supply or excessively high ambient temperature. However if motor is faulty ,switch off immediately and return fan to the supplier or service agent.
14. This appliance is not intended for use by young children or infirm persons unless they have been adequately supervised by a responsible person to ensure that they can use the appliance safely.
15. Young children should be supervised to ensure that they do not play with the appliance.



Product Service

Attestation of Conformity

No. N8A 16 11 72582 025

Holder of Certificate: WING TON FAN INDUSTRY LIMITED

3C Kam Shing Industring
1-11 Kwai Wing Road
Kowloon
HONG KONG

Product: Fans
(Stand Fan / Wall Fan)

Model(s): FW50GA, FW51GA, FW50GB, FW51GB, FW50GC, FW51GC, FW50GD, FW51GD, FW50GE, FW51GE, FW50GF, FW51GF, FW50GH, FW51GH, FW50GJ, FW51GJ, FW50GK, FW51GK, FW50GT, FW51GT, FW50GV, FW51GV, FW50GW, FW51GW, FW51JA, FW51JB, FW51JC, FW51JD, FW51JR, FW51JS, FW45GA, FW46GA, FW45GB, FW46GB, FW45GC, FW46GC, FW45GD, FW46GD, FW45GE, FW46GE, FW45GH, FW46GH, FW45GT, FW46GT, FW45GV, FW46GV, FW45GW, FW46GW

Parameters: Rated Input : 220-240VAC, 50 Hz, See page 2 for details
Protection Class : I
Degree of Protection : IPX0

Tested according to: EN 60335-2-80:2003/A2:2009
EN 60335-1:2012/A11:2014
EN 62233:2008

This Attestation of Conformity is issued on a voluntary basis according to the Low Voltage Directive 2014/35/EU relating to electrical equipment designed for use within certain voltage limits. It confirms that the listed equipment complies with the principal protection requirements of the directive and is based on the technical specifications applicable at the time of issuance. It refers only to the particular sample submitted for testing and certification. See also notes overleaf.

Test report no.: 681101301904

Date, 2016-11-28

(Kelvin Zeng)



After preparation of the necessary technical documentation as well as the EU declaration of conformity the required CE marking can be affixed on the product. The declaration of conformity is issued under the sole responsibility of the manufacturer. Other relevant EU-directives have to be observed.

IEC SYSTEM FOR MUTUAL RECOGNITION OF TEST CERTIFICATES FOR ELECTRICAL EQUIPMENT (IECEE) CB SCHEME

CB TEST CERTIFICATE

Product

Fans
(Stand Fan / Wall Fan)

Name and address of the applicant

**Sam Hing Cheung Fans
And Equipment Limited**
Flat B, 1/F., Kam Shing Industrial Building
1-11 Kwai Wing Road
Kwai Chung
HONG KONG

Name and address of the manufacturer

Sam Hing Cheung Fans And Equipment Limited
Flat B, 1/F., Kam Shing Industrial Building, 1-11 Kwai Wing Road,
Kwai Chung, HONG KONG

Name and address of the factory

FOSHAN SHUNDE SAM HING CHEUNG FANS AND EQUIPMENT
LIMITED
No.1 Building, No.1 Road Guangda Market, Leiliu Town, Shunde
District, 528322 Foshan, PEOPLE'S REPUBLIC OF CHINA

Ratings and principal characteristics

Rated Input : 220-240VAC, 50 Hz,
See test report for details
Protection Class : I
Degree of Protection : IPX0

Model/type Ref.

FW50GA, FW51GA, FW50GB, FW51GB, FW50GC, FW51GC,
FW50GD, FW51GD, FW50GE, FW51GE, FW50GF, FW51GF,
FW50GH, FW51GH, FW50GJ, FW51GJ, FW50GK, FW51GK,
FW50GT, FW51GT, FW50GV, FW51GV, FW50GW, FW51GW,
FS50GA, FS51GA, FS50GB, FS51GB, FS50GC, FW51JA,
FW51JB, FW51JC, FW51JD, FW51JR, FW51JS, FS51JA,
FS51JB, FS51JC, FW45GA, FW46GA, FW45GB, FW46GB,
FW45GC, FW46GC, FW45GD, FW46GD, FW45GE, FW46GE,
FW45GH, FW46GH, FW45GT, FW46GT, FW45GV, FW46GV,
FW45GW, FW46GW, FS45GA, FS46GA, FS45GB, FS46GB

A sample of the product was tested and found
to be in conformity with

IEC 60335-1:2010
IEC 60335-1:2010/AMD1:2013
IEC 60335-1:2010/AMD2:2016
IEC 60335-2-80:2015

as shown in the Test Report Ref. No.
which forms part of this certificate

211-700452-000

This CB Test Certificate is issued by the National Certification Body

CBS 072582 0032 Rev. 00

Date, 2019-06-26

(Shaochang Liu)

Page 1 of 2

TÜV SÜD PSB Pte Ltd • 1 Science Park Drive • Singapore 118221



PSB Singapore

Film Capacitors – AC Capacitors

Motor run capacitors

CBB65

Construction

- Metallized polypropylene film
- Aluminum can and top
- Filling material: soft polyurethane resin

Features

- Self-healing properties
- Low dissipation factor
- Overpressure disconnection safety device
- S2 safety class as per IEC-60252-1(ed-2) am1
- High insulation resistance
- EN 60252-1 compliance

Typical applications

- For general sine wave application, mainly as motor run

Terminals

- 2+2 fast-on terminal 6.3 x 0.8mm #250 style, others on request

Mounting Parts (Optional)

- Threaded stud at bottom of can (M8, Max torque= 5 Nm for 50 mm diameter)







| Technical data and specifications | |
|---------------------------------------|---|
| Reference standards | DIN EN 60252-1: 2011 + A1, IEC 60252-1 (ed 2) am1 UL 810, GB/T3667.1 |
| Safety class to IEC 60252-1 | S2 |
| Life expectancy to IEC 60252-1 | 450 V : 30000 h (Class A) |
| Class of Operation | Class A |
| Capacitance Tolerance | +/- 5% |
| Rated Capacitances | 3uF - 65uF |
| Rated frequency | 50/60 Hz |
| Rated voltage V_{rms} | 450 V , others on request |
| Maximum ratings | |
| Maximum permissible voltage V_{max} | $1.1 \cdot V_R$ (V_R = Rated voltage) |
| Maximum permissible current I_{max} | $1.3 \cdot I_R$ (I_R = Rated current) |

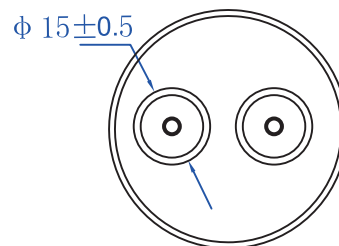
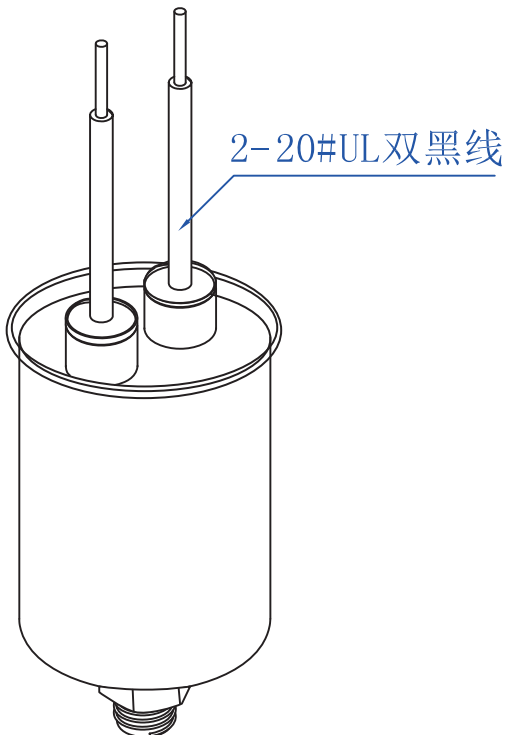
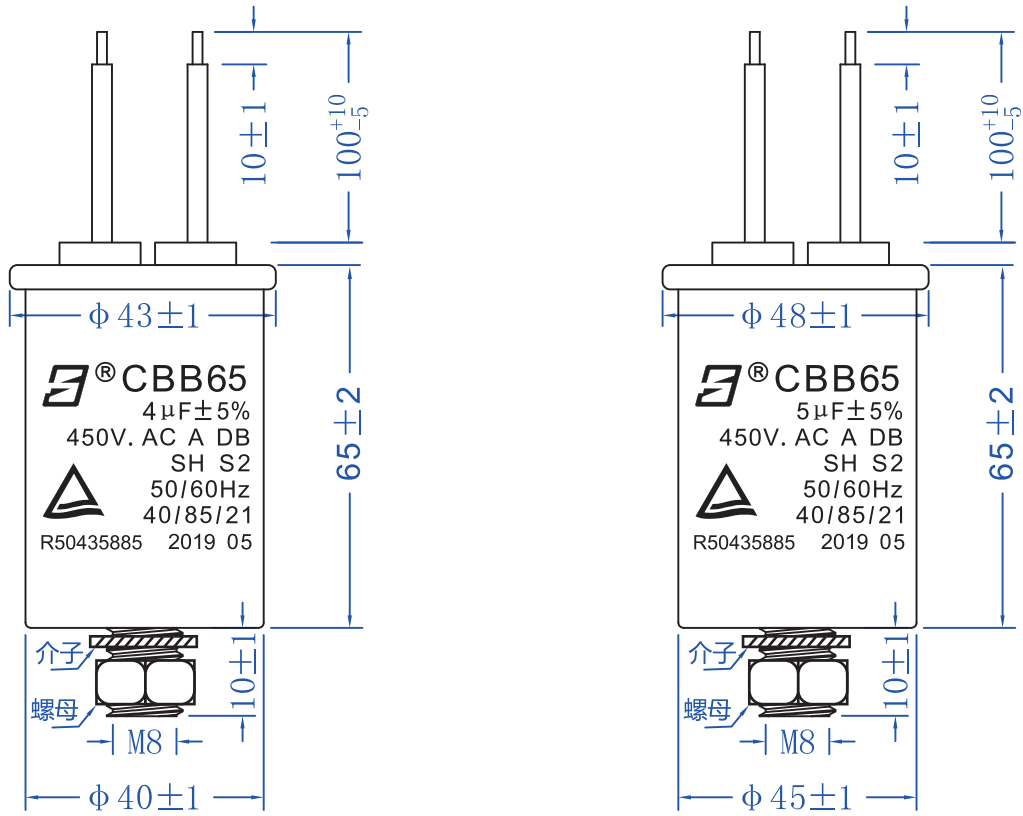
Film Capacitors – AC Capacitors

Motor run capacitors

CBB65

| Test data | |
|--|--|
| AC test voltage terminal to terminal V_{TT} | $2.0 \cdot V_R, 2 \text{ s}$ |
| Insulation voltage terminals to case | 3000 V AC, 2 s |
| Insulation resistance R_{ins} or time constant at +20 °C, rel. Humidity $\leq 65\%$ (minimum as-delivered values) | 10000 s |
| Dissipation factor $\tan \delta$ at +20 °C | $\leq 7 \cdot 10^{-3}$ (1 kHz) |
| Maximum rate of voltage rise dV/dt_{max} | 10 V/ μs |
| Climatic data | |
| Climatic category | 40/085/21 to IEC 60068-1 |
| Lower category T_{min} | -40° C |
| Upper category T_{max} | +85° C |
| Damp heat test t_{test} | 21 days |
| Mechanical and thermal properties of terminal insulator material | |
| Terminal material <ul style="list-style-type: none"> ■ UL 94 V0 compatible ■ Glow wire test to IEC60335-1 Test temperature +750 °C ■ Part is compatible to EN 60335-1 | Self-extinguishing within 2 seconds of withdrawing glow wire without igniting wrapping tissue of GWT |
| Approvals: See table for approved ratings | |
|  US UL File E 238746 | Approved component 10000 AFC |
| VDE EN 60252-1  | Approved up to 65 μF , 450 V / 85°C : 30000 h (Class A) |
| CQC  | Approval on request |
|  | Compliance to LV directive 2014/35/EU |

Dimensional drawing and marking



Zertifikat

Certificate



Zertifikat Nr. *Certificate No.*
R 50435885

Blatt *Sheet*
0001

| Ihr Zeichen <i>Client Reference</i> | Unser Zeichen <i>Our Reference</i> | Ausstellungsdatum <i>Date of Issue</i> | <i>(day/mo/yr)</i> |
|-------------------------------------|------------------------------------|--|--------------------|
| | 05-YFC-50186558 001 | 10.05.2019 | |

Genehmigungsinhaber *License Holder*

Xunde Electrical and Electronic Co., Ltd.
Juwei Industry Zone
Beijiao, Shunde
Foshan, Guangdong
P. R. China

Fertigungsstätte *Manufacturing Plant*

Xunde Electrical and Electronic Co., Ltd.
Juwei Industry Zone
Beijiao, Shunde
Foshan, Guangdong
P. R. China

Prüfzeichen *Test Mark*



Type Approved
Safety
Regular Production
Surveillance

www.tuv.com
ID 1419068883

Geprüft nach *Tested acc. to*
EN 60252-1:2011+A1

Zertifiziertes Produkt (Geräteidentifikation) *Certified Product (Product Identification)*

Lizenzentgelte - Einheit *License Fee - Unit*

Capacitor (AC Motor Capacitors)

| | | |
|----------------------------|--|---|
| Type Designation | : CBB65 | 5 |
| Trademark | : Xunde Xunde (logo) | |
| Rated Voltage | : AC 400V/450V | |
| Rated Frequency | : 50Hz/60Hz | |
| Rated Capacitances | : 3µF-65µF (See Appendix 1) | 6 |
| Climatic Category | : 40/85/21 | |
| Capacitance Tolerance | : ±5% | |
| Class of Safety Protection | : S2 | |
| Class of Operation | : Class A | |
| Self-healing Capacitor | : Yes | |
| Type of Operation | : Continuous | |
| Type of termination | : Tabs of flat Quick-connector (4.8x0.5mm; 6.3x0.8mm) | |

Remark : The labelling requirements acc. to EU Directive 2001/95 have to be observed for distribution within the EEA. The installation has to be carried out according to installation instruction accompanying the products.

11

ANLAGE (Appendix): 1

Dem Zertifikat liegt unsere Prüf- und Zertifizierungsordnung zugrunde und es bestätigt die Konformität des Produktes mit den oben genannten Standards und Prüfgrundlagen. Zusätzliche Anforderungen in Ländern, in denen das Produkt in Verkehr gebracht werden soll, müssen zusätzlich betrachtet werden. Die Herstellung des zertifizierten Produktes wird überwacht.
This certificate is based on our Testing and Certification Regulation and states the conformity of the product with the standards and testing requirements as indicated above. Any additional requirements in countries where the product is going to be marketed have to be considered additionally. The manufacturing of the certified product is subject to surveillance.

TÜV Rheinland LGA Products GmbH, Tillystraße 2, 90431 Nürnberg

Tel: +49 221 806-1371 e-mail: cert-validity@de.tuv.com
Fax: +49 221 806-3935 http://www.tuv.com/safety

