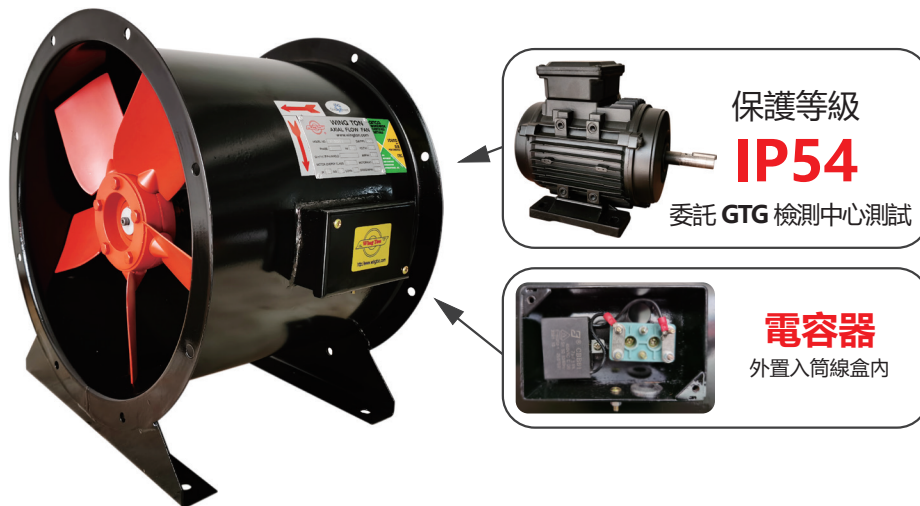


# YXD 系列直驅軸流風機

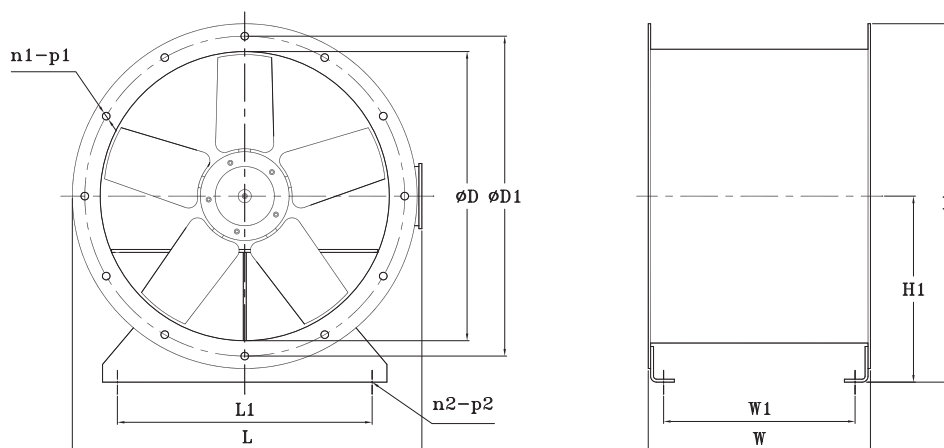
## 產品特性

- 備有 9.5"、12"、15"、19"、24"、30" 六款尺寸。
- 榮通新款馬達：保護等級IP54 (IEC60529:1989 + A1:1999 + A2:2013)、F級絕緣、能效級數IE2。
- 榮通新款馬達提供單、三相電壓和三種轉速 (900、1400、2800RPM) 規格。
  - 2800RPM: 風量範圍為1250~15000 cmh, 噪音 < 83 dBA
  - 1400RPM: 風量範圍為900~30000 cmh, 噪音 < 71 dBA
  - 900RPM: 風量範圍為1000~22500 cmh, 噪音 < 61 dBA
- 筒身選用優質鐵板制造, 所有前後佛蘭整體翻邊成型。筒身經過噴粉處理。
- 所有榮通葉片均為鋁材壓鑄成品葉片角度可調校, 扇葉做動靜平衡, 確保扇葉不會在運作期間產生震動。
- 建議使用溫度: 室溫 < 40°C。
- 建議使用濕度範圍: 濕度 < 95%。

\* 本系列集AD、AXB及YS系列之優點 (可取代AD及AXB系列)



## 安裝尺寸 (mm)



Model	$\phi D$	$\phi D1$	L	L1	W	W1	H	H1	n1-p1	n2-p2
YXD240	243	280	325	205	230	180	325	172	6- $\phi 10$	4- $\phi 10$
YXD305	312	355	408	260	290	237	408	210	8- $\phi 10$	4- $\phi 10$
YXD380	385	432	482	340	335	280	485	246	8- $\phi 10$	4- $\phi 13$
YXD480	488	540	593	430	375	313	605	316	12- $\phi 14$	4- $\phi 13$
YXD610	614	665	730	560	430	372	733	374	12- $\phi 14$	4- $\phi 13$
YXD760	768	830	910	--	550	--	875	473	12- $\phi 14$	--

\* 尺寸圖：與AD及AXB系列尺寸一樣。



# TEST REPORT IEC 60529 Degrees of protection provide by enclosure(IP code)

Report Number: Q02A23030179Q00101  
 Date of issue: 2023-03-13  
 Total number of pages: 9 pages  
 Name of Testing Laboratory preparing the Report: Guangdong Meide Testing Technology Co., Ltd.  
 Applicant's name: FOSHAN SHUNDE SAM HING CHEUNG FANS AND EQUIPMENT LIMITED.  
 Address: Building B1 Jiangyi Hongyu Industrial Park Lelu Town,Shunde District,Foshan City,Guangdong Province.  
 Test specification: IEC 60529:1989+A1:1999+A2:2013  
 Standard: IP54 Test  
 Test procedure: N/A  
 Non-standard test method: 02-Q024-1A  
 Test Report Form No.: GTG  
 Test Report Form(s) Originator: GTG  
 Master TRF: Dated 2022-07-01

**General disclaimer:**  
 The test results presented in this report relate only to the object tested.  
 This report shall not be reproduced, except in full, without the written approval of the Testing Laboratory.  
 The authenticity of this Test Report and its contents can be verified by contacting the GTG, responsible for the Test Report.

**Responsible Testing Laboratory (as applicable), testing procedure and testing location(s):**  
 Testing Laboratory: Guangdong Meide Testing Technology Co., Ltd.  
 1st Floor, Area B, Jinbaisheng Industrial Park 2nd Road, Songshan Lake High-tech Industrial Development Zone, Dongguan City, Guangdong Pr., China.  
 Testing location/ address:  
 Tested by (name, function, signature): Abel Chen Project handler  
 Reviewed by (name, function, signature): Louis Lu Reviewer  
 Approved by (name, function, signature): Mo JiaKeng Authorized Signatory

Test item description: Electric Motor  
 Trade Mark: WingTon  
 Manufacturer: FOSHAN SHUNDE SAM HING CHEUNG FANS AND EQUIPMENT LIMITED.  
 Building B1 Jiangyi Hongyu Industrial Park Lelu Town Shunde District, Foshan City, Guangdong Province  
 Model/Type reference: Y63, Y71, Y80, Y90  
 Ratings: 0.08KW-1.5KW

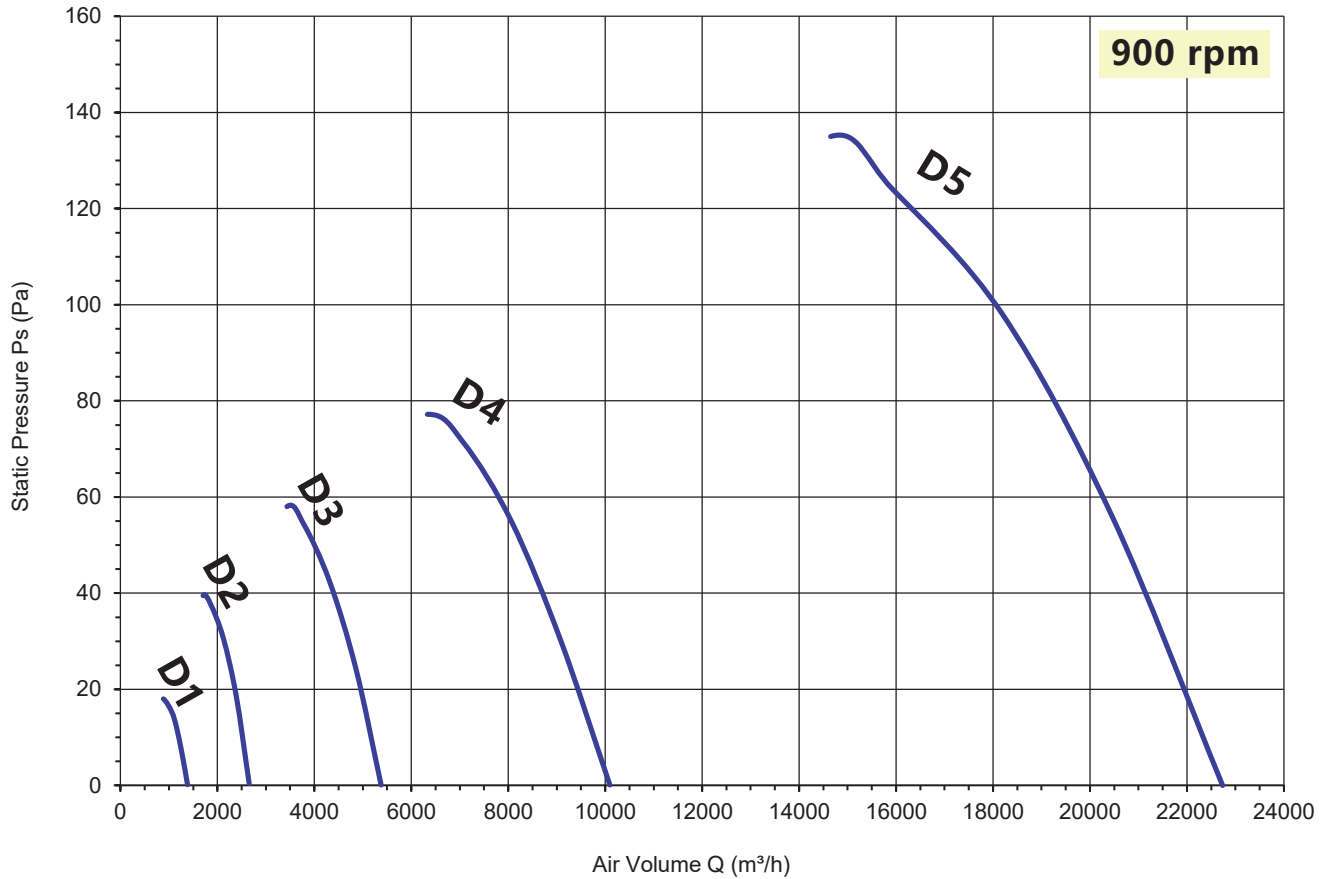
List of Attachments (including a total number of pages in each attachment):  
 Attachment 1: Photo

Summary of testing:  
 Tests performed (name of test and test clause): IEC 60529:1989+A1:1999+A2:2013  
 Testing location: Guangdong Meide Testing Technology Co., Ltd. 1st floor, B Area, Jinbaisheng Industrial Park, Headquarters 2 Road, Songshan Lake Hi-tech Industrial Development Zone, Dongguan City, Guangdong Pr., China.

Summary of compliance with National Differences:  
 List of countries addressed: N/A  
 Copy of marking plate: The artwork below may be only a draft. The use of certification marks on a product must be authorized by the respective NCBs that own these marks.

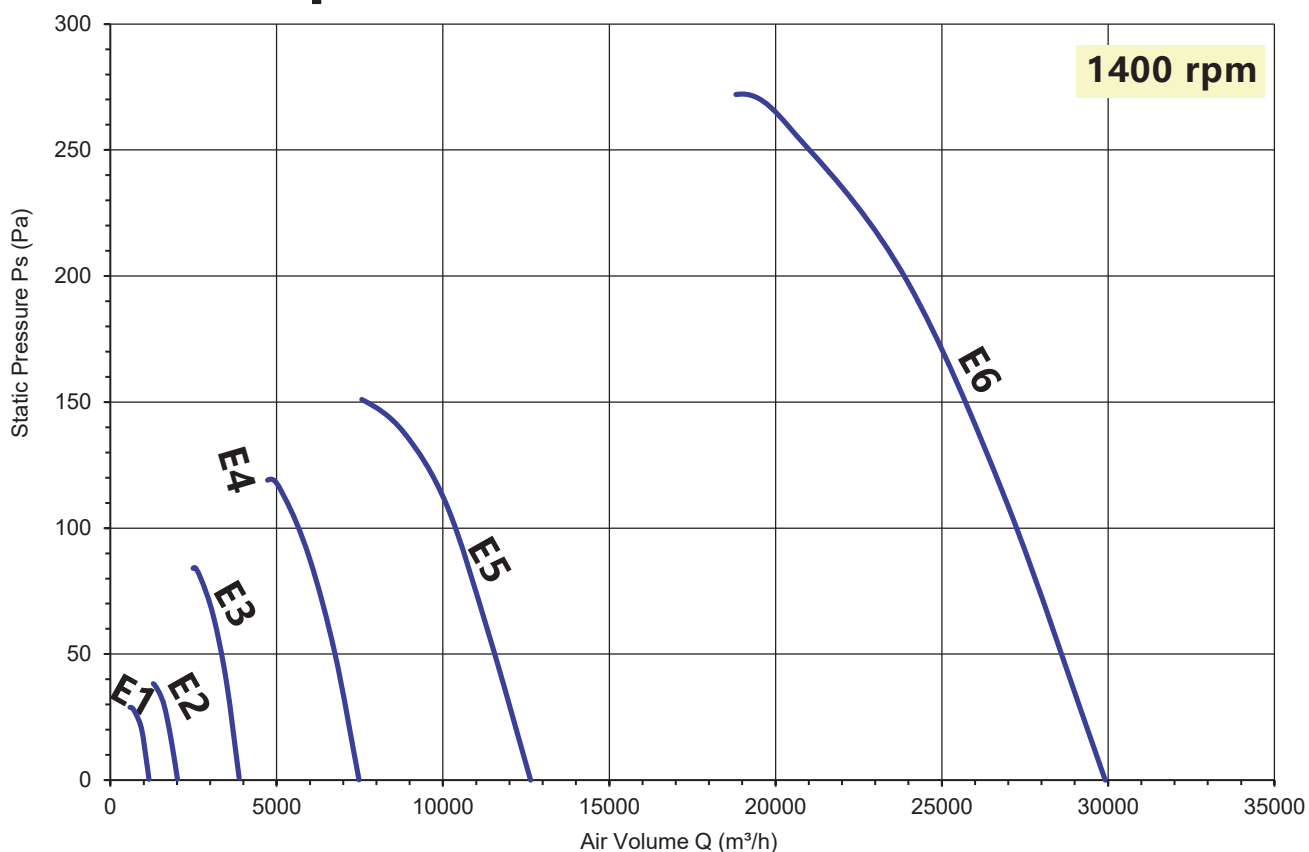
Requirement - Test	Result - Remark	Verdict
<b>General requirements for tests</b>		
ambient conditions for water or dust tests samples	IP54, 23.2°C, 64%	P
combination of test requirements and interpretation results	The tests specified are Commissioned tests	P
ambient conditions for the first characteristic numeral		P
enclosures		P
<b>Protection against access to hazardous parts indicated by the first characteristic numeral</b>		N/A
conditions	Not considered	N/A
equipment not exceeding 1000V a.c. and 1500V d.c.		N/A
equipment with hazardous mechanical parts on against solid foreign objects indicated by the first characteristic numeral		N/A
main test conditions are given		P
first characteristic numerals 1, 2, 3 for first characteristic		P
characteristic numerals 5 and 6	IP5X	N/A
first characteristic numeral 5		P
first characteristic numeral 5		P
characteristic numeral 6		P
characteristic numeral 6		N/A
first characteristic numeral 6		N/A
<b>water indicated by the second characteristic</b>		
test conditions are	IPX4	P
		P

# YXD 900rpm



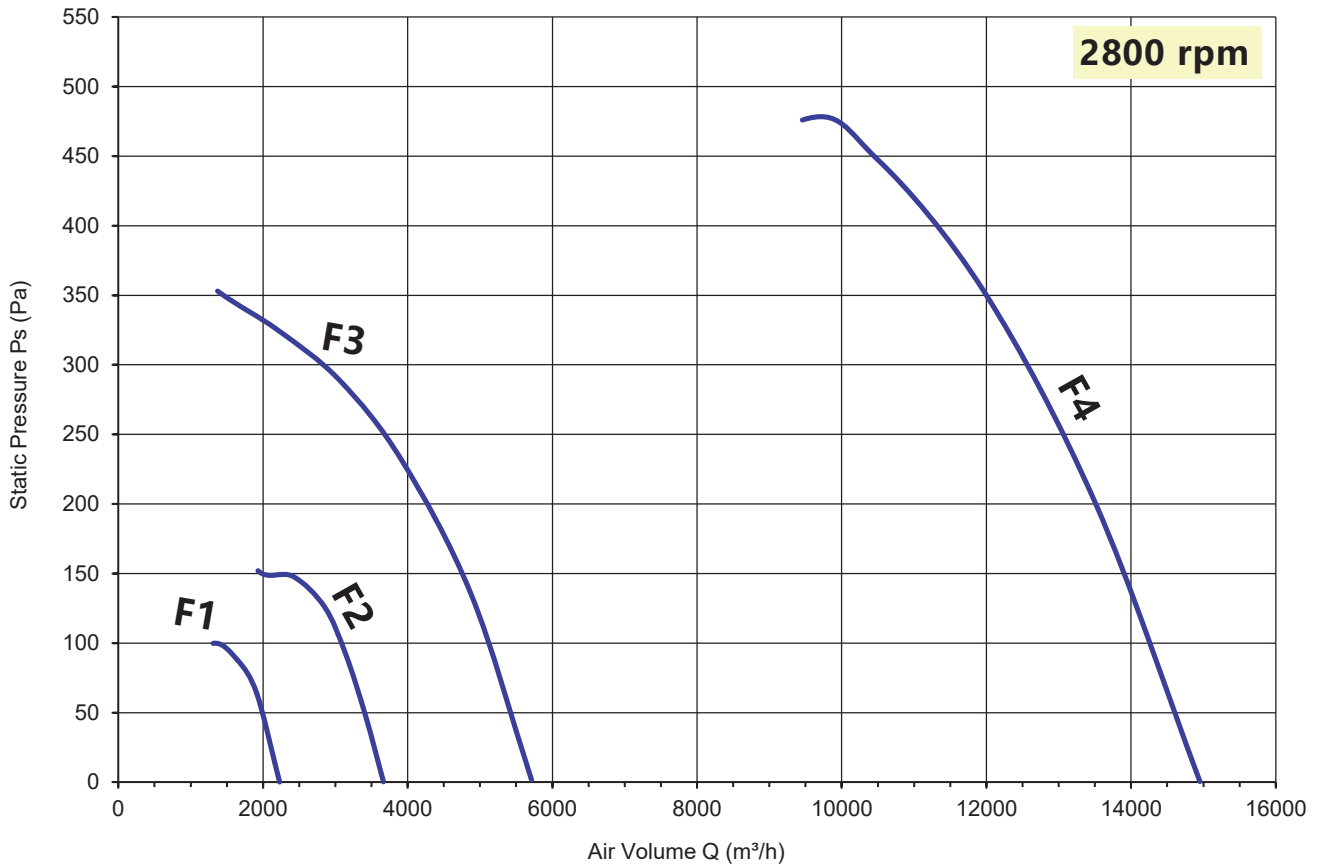
風量 曲線	型號 Model	風葉直徑 Inch/mm	額定電壓 V/Ph/Hz	配用電機 KW	電容器 (uF)	電流 A		風量 m³/h	靜壓 (Pa)	噪音 dB (A)		
						運行	啟動			1米	2米	3米
D1	YXD305CFV	12" /305	220-240/1/50	Y63-1-6 0.06KW	2.5	0.3	0.9	1000	15	57	51	47
D1	YXD305GFV		380-415/3/50	Y63-3-6 0.06KW	/	0.2	0.6					
D2	YXD380CFV	15" /380	220-240/1/50	Y71-1-6 0.12KW	4	0.7	2.1	2000	35	63	57	53
D2	YXD380GFV		380-415/3/50	Y71-3-6 0.12KW	/	0.3	0.9					
D3	YXD480CFV	19" /480	220-240/1/50	Y80-1-6 0.18KW	7	1.0	3.0	4000	50	67	61	57
D3	YXD480GFV		380-415/3/50	Y80-3-6 0.18KW	/	0.4	1.2					
D4	YXD610CFV	24" /610	220-240/1/50	Y90-1-6 0.37KW	12	2.0	6.0	8400	48	72	66	62
D4	YXD610GFV		380-415/3/50	Y90-3-6 0.37KW	/	0.9	2.7					
D5	YXD760GFV	30" /760	380-415/3/50	Y112-3-6 2.2KW	/	5.6	14.0	17000	112	75	69	65

# YXD 1400rpm



風量 曲線	型號 Model	風葉直徑 Inch/mm	額定電壓 V/Ph/Hz	配用電機 KW	電容器 (uF)	電流 A		風量 m³/h	靜壓 (Pa)	噪音 dB (A)		
						運行	啟動			1米	2米	3米
E1	YXD240BFV	9.5" /240	220-240/1/50	Y63-1-4 0.06KW	2.5	0.3	0.9	950	20	57	51	47
E1	YXD240FFV		380-415/3/50	Y63-3-4 0.06KW	/	0.2	0.6					
E2	YXD305BFV	12" /305	220-240/1/50	Y63-1-4 0.12KW	4	0.7	2.1	1700	35	69	63	59
E2	YXD305FFV		380-415/3/50	Y63-3-4 0.12KW	/	0.3	0.9					
E3	YXD380BFV	15" /380	220-240/1/50	Y71-1-4 0.25KW	7	1.4	4.2	3200	74	73	67	63
E3	YXD380FFV		380-415/3/50	Y71-3-4 0.25KW	/	0.6	1.8					
E4	YXD480BFV	19" /480	220-240/1/50	Y80-1-4 0.55KW	12	3.0	9.0	6000	90	77	71	67
E4	YXD480FFV		380-415/3/50	Y80-3-4 0.55KW	/	1.3	3.9					
E5	YXD610BFV	24" /610	220-240/1/50	Y90-1-4 0.75KW	15	4.0	12.0	10000	101	82	76	72
E5	YXD610FFV		380-415/3/50	Y90-3-4 0.75KW	/	1.7	5.1					
E6	YXD760FFV	30" /760	380-415/3/50	Y112-3-4 4KW	/	8.8	22.0	23000	212	84	78	74

# YXD 2800rpm



風量 曲線	型號 Model	風葉直徑 Inch/mm	額定電壓 V/Ph/Hz	配用電機 KW	電容器 (uF)	電流 A		風量 m³/h	靜壓 (Pa)	噪音 dB (A)		
						運行	啟動			1米	2米	3米
F1	YXD240AFV	9.5" /240	220-240/1/50	Y63-1-2 0.18KW	5	1.0	3.0	2000	60	76	70	66
F1	YXD240EFV		380-415/3/50	Y63-3-2 0.18KW	/	0.4	1.2					
F2	YXD305AFV	12" /305	220-240/1/50	Y63-1-2 0.37KW	7	2.0	6.0	2750	130	87	81	77
F2	YXD305EFV		380-415/3/50	Y63-3-2 0.37KW	/	0.9	2.7					
F3	YXD380AFV	15" /380	220-240/1/50	Y80-1-2 0.55KW	15	3.0	9.0	4800	240	94	88	84
F3	YXD380EFV		380-415/3/50	Y80-3-2 0.55KW	/	1.3	3.9					
F4	YXD480EFV	19" /480	380-415/3/50	Y100-3-2 3KW	/	6.4	16.0	12000	350	94	88	84