

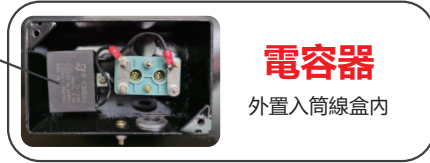
YS-E 系列軸流風機



產品特性

- 備有 400、500、630mm 三款尺寸。
- 榮通新款馬達：保護等級IP54 (IEC60529: 1989 + A1: 1999 + A2:2013)、F級絕緣、能效級數IE2。
- 榮通新款馬達提供單、三相電壓和三種轉速 (900、1400、2800RPM) 規格。
 - 2800RPM: 風量範圍為1300~22200 cmh, 噪音 < 83 dBA
 - 1400RPM: 風量範圍為2750~16600 cmh, 噪音 < 71 dBA
 - 900RPM: 風量範圍為2050~9000 cmh, 噪音 < 61 dBA
- 筒身選用優質鐵板制造, 所有前後佛蘭整體翻邊成型。筒身經過噴粉處理。
- 所有榮通葉片均為鋁材壓鑄成葉片角度可調校, 扇葉做動靜平衡, 確保扇葉不會在運作期間產生震動。
- 建議使用溫度: 室溫 < 40°C。
- 建議使用濕度範圍: 濕度 < 95%。

* 本系列的風量、尺寸和AD系列大致相同, 尺寸直徑和大部分進口品牌一致。



TEST REPORT IEC 60529
Degrees of protection provide by enclosure(IP code)

Report Number: Q02A23030179Q00101
Date of issue: 2023-03-13
Total number of pages: 9 pages

Name of Testing Laboratory preparing the Report: Guangdong Meide Testing Technology Co., Ltd.
Applicant's name: FOSHAN SHUNDE SAM HING CHEUNG FANS AND EQUIPMENT LIMITED
Address: Building B1, Jiangyi Hongyu Industrial Park, Lelu Town, Shunde District, Foshan City, Guangdong Province

Test specification: IEC 60529:1989+A1:1999+A2:2013
Standard: IP54 Test
Test procedure: N/A
Non-standard test method: Q2-Q024-1A
Test Report Form No.: GTG
Test Report Form(s) Originator: GTG
Master TRF: Dated 2022-07-01

General disclaimer:
The test results presented in this report relate only to the object tested. This report shall not be reproduced, except in full, without the written approval of the Testing Laboratory. The authority of this Test Report and its contents can be verified by contacting the GTG, responsible for this Test Report.

Responsible Testing Laboratory (as applicable), testing procedure and testing location(s):
Testing Laboratory: Guangdong Meide Testing Technology Co., Ltd.
Testing location address: 1st Floor, Area B, Jinbaisheng Industrial Park, 2nd Road, Songshan Lake High-tech Industrial Development Zone, Dongguan City, Guangdong Pr., China.

Tested by (name, function, signature): Abel Chen, Project handler
Reviewed by (name, function, signature): Louis Lu, Reviewer
Approved by (name, function, signature): Mo JiaKeng, Authorized Signatory

Page 2 of 9 Report No.: Q02A23030179Q00101

Test item description: Electric Motor
Trade Mark: WingTon
Manufacturer: FOSHAN SHUNDE SAM HING CHEUNG FANS AND EQUIPMENT LIMITED.
Building B1, Jiangyi Hongyu Industrial Park, Lelu Town, Shunde District, Foshan City, Guangdong Province
Model/Type reference: Y63, Y71, Y80, Y90
Ratings: 0.06KW-1.5KW

List of Attachments (including a total number of pages in each attachment):
Attachment 1: Photo

Summary of testing:
Tests performed (name of test and test clause): IEC 60529:1989+A1:1999+A2:2013
Testing location: Guangdong Meide Testing Technology Co., Ltd., 1st floor, B Area, Jinbaisheng Industrial Park, Headquarters 2 Road, Songshan Lake Hi-tech Industrial Development Zone, Dongguan City, Guangdong Pr., China.

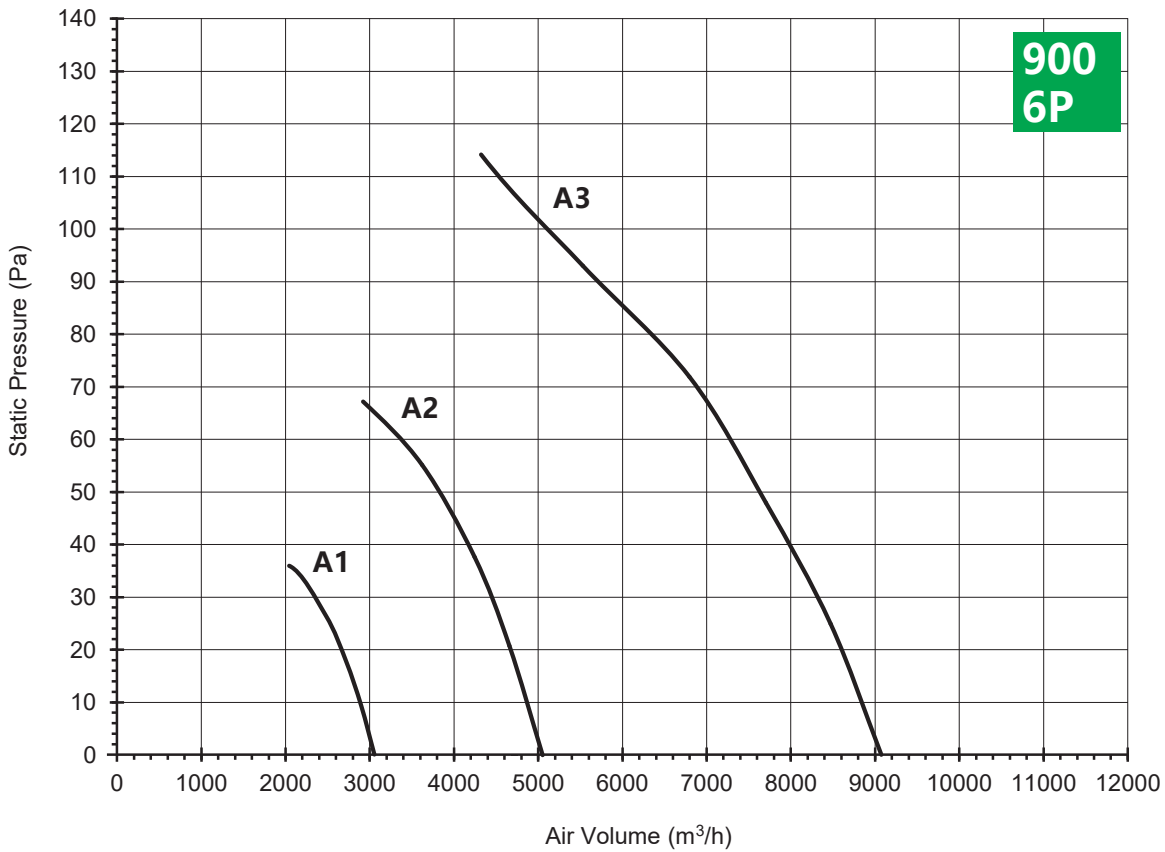
Summary of compliance with National Differences:
List of countries addressed: N/A

Copy of marking plate:
The artwork below may be only a draft. The use of certification marks on a product must be authorized by the respective NCBs that own these marks.

Page 4 of 9 Report No.: Q02A23030179Q00101

Requirement - Test	Result - Remark	Verdict
Requirements for tests		
Conditions for water or dust tests	IP54: 23.2°C, 84%	P
Interpretation of test conditions for the first test	The tests specified are Commissioned tests	P
Protection against access to hazardous parts indicated by the first test		P
Conditions for tests		N/A
Equipment (Rated voltage V a.c. and 1500V d.c.)		N/A
Protection against access to hazardous parts indicated by the first test		N/A
Conditions for tests		N/A
Equipment		N/A
Not exceeding 1000V a.c. and		N/A
Equipment (Rated voltage V a.c. and 1500V d.c.)		N/A
Protection against access to hazardous parts indicated by the first test		N/A
Conditions for tests		N/A
Equipment		N/A
Not exceeding 1000V a.c. and		N/A
Equipment (Rated voltage V a.c. and 1500V d.c.)		N/A
Water indicated by the second characteristic		P
Conditions for tests	IPX4	P

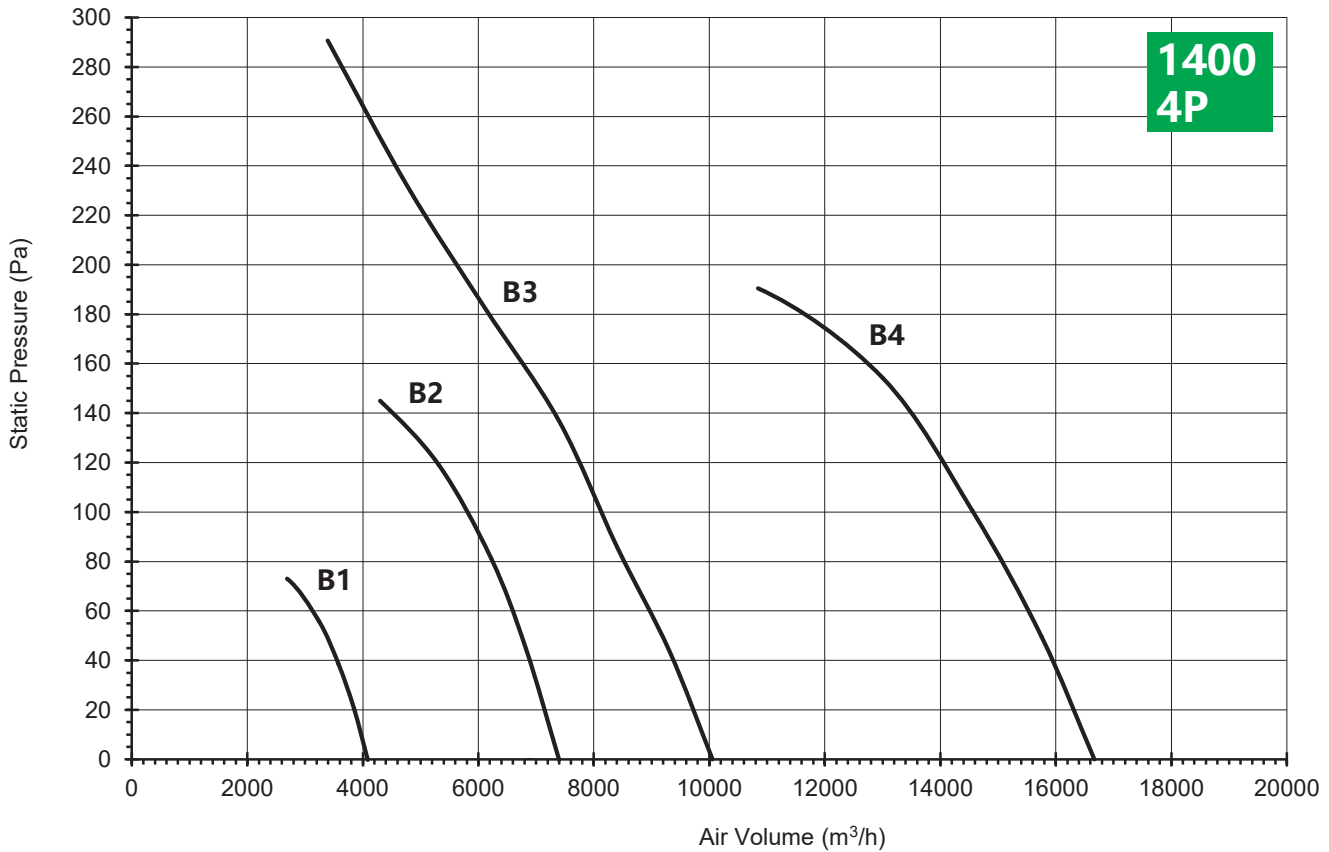
■ YS-E 900rpm



風量 曲線	型號 Model	風葉直徑 mm	額定電壓 V/Ph/Hz	配用電機 KW	電容器 (uF)	電流 A		風量 m³/h	靜壓 (Pa)	噪音 dB (A)		
						運行	啟動			1米	2米	3米
A1	YS400CFV-E	400	220-240/1/50	Y71-1-6 0.12KW	4	0.7	2.1	2550	24	61	55	51
A2	YS500CFV-E	500		Y80-1-6 0.18KW	7	1.0	3.0	4300	38	67	61	57
A3	YS630CFV-E	630		Y90-1-6 0.37KW	12	2.0	6.0	6800	72	73	67	63
A1	YS400GFV-E	400	380-415/3/50	Y71-3-6 0.12KW	/	0.3	0.9	2550	24	61	55	51
A2	YS500GFV-E	500		Y80-3-6 0.18KW	/	0.4	1.2	4300	38	67	61	57
A3	YS630GFV-E	630		Y90-3-6 0.37KW	/	0.9	2.7	6800	72	73	67	63

* 風量值符合AMCA標準210-07測試，噪音值符合AMCA標準300-08測試。

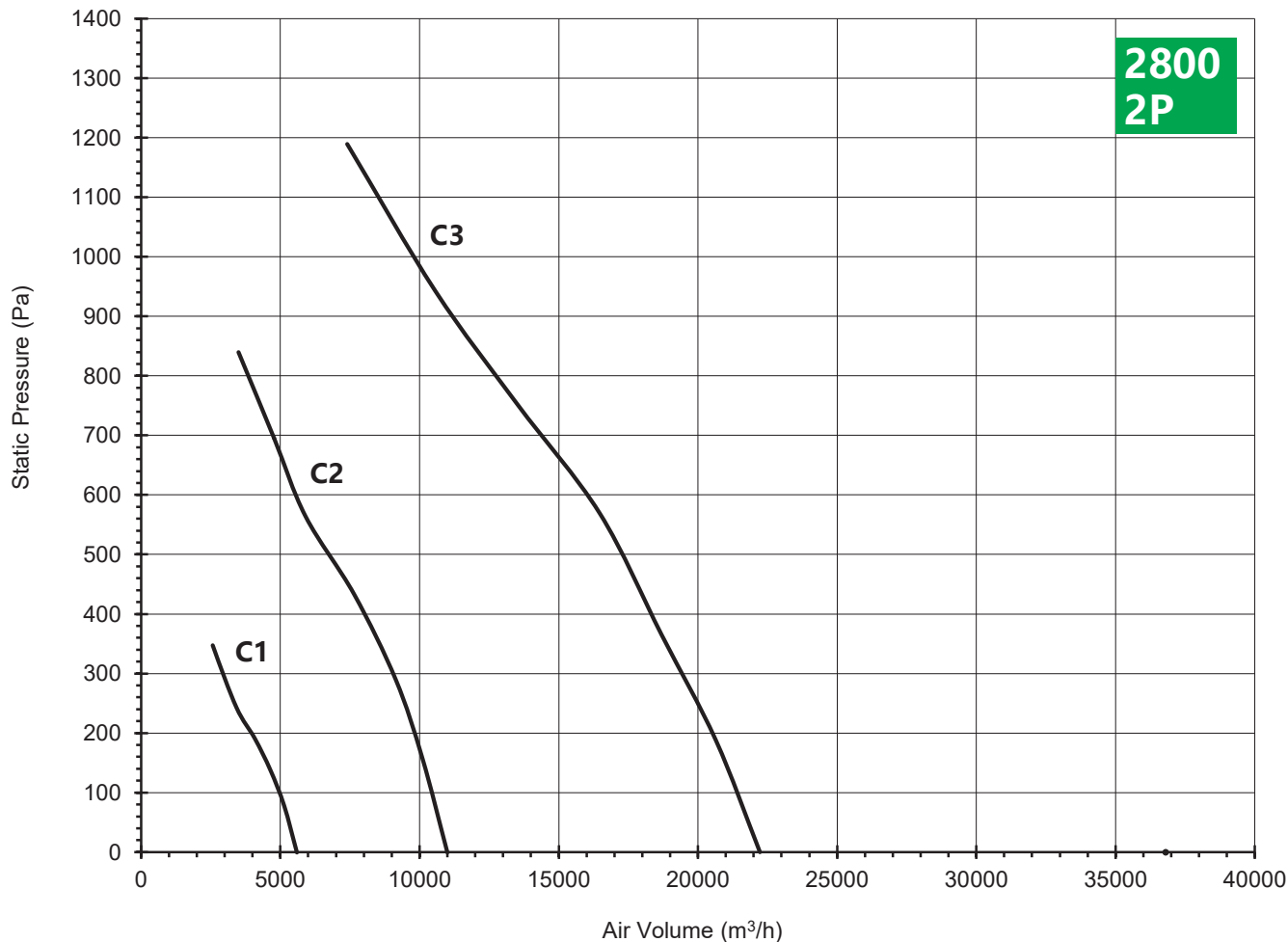
■ YS-E 1400rpm



風量 曲線	型號 Model	風葉直徑 mm	額定電壓 V/Ph/Hz	配用電機 KW	電容器 (uF)	電流 A		風量 m³/h	靜壓 (Pa)	噪音 dB (A)		
						運行	啟動			1米	2米	3米
B1	YS400BFV-E	400	220-240/1/50	Y71-1-4 0.25KW	7	1.4	4.2	3500	42	72	66	62
B2	YS500BFV-E	500		Y80-1-4 0.55KW	12	3.0	9.0	6300	82	76	70	66
B3	YS630BFV-E	630		Y90-1-4 0.75KW	15	4.0	12.0	6600	50	80	74	70
B1	YS400FFV-E	400	380-415/3/50	Y71-3-4 0.25KW	/	0.6	1.8	3500	42	72	66	62
B2	YS500FFV-E	500		Y80-3-4 0.55KW	/	1.3	3.9	6300	82	76	70	66
B4	YS630FFV-E	630		Y100-3-4 2.2KW	/	5.0	15.0	14000	120	81	75	71

* 風量值符合AMCA標準210-07測試，噪音值符合AMCA標準300-08測試。

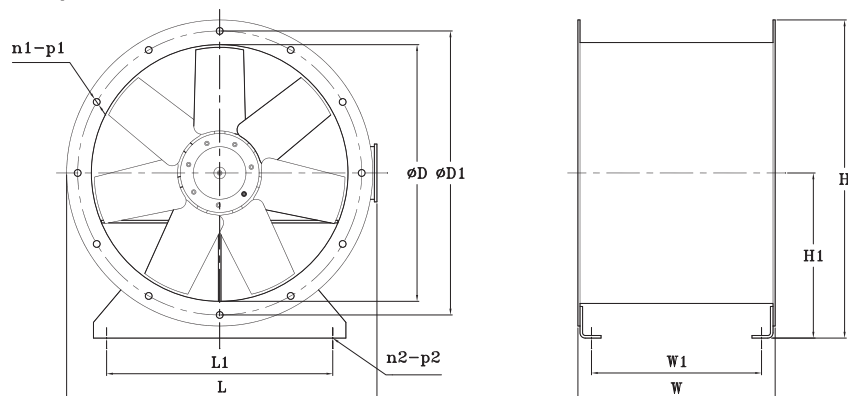
YS-E 2800rpm



風量 曲線	型號 Model	風葉直徑 mm	額定電壓 V/Ph/Hz	配用電機 KW	電容器 (uF)	電流 A		風量 m³/h	靜壓 (Pa)	噪音 dB (A)		
						運行	啟動			1米	2米	3米
C1	YS400AFV-E	400	220-240/1/50	Y80-1-2 0.55KW	15	3.0	9.0	5000	180	90	84	80
C1	YS400EFV-E	400	380-415/3/50	Y80-3-2 0.55KW	/	1.3	3.9	4200	180	90	84	80
C2	YS500EFV-E	500		Y100-3-2 3.0KW	/	6.4	16	8000	400	92	86	82
C3	YS630EFV-E	630		Y132-3-2 7.5KW	/	15.0	45.0	15000	640	99	93	89

* 風量值符合AMCA標準210-07測試，噪音值符合AMCA標準300-08測試。

安裝尺寸 (mm)



Model	ØD	ØD1	L	L1	W	W1	H	H1	n1-p1	n2-p2
YS400-E	401	448	499	350	335	271	492	250	8-Ø12	4-Ø13
YS500-E	504	551	599	440	375	309	607	315	12-Ø14	4-Ø13
YS630-E	634	698	749	570	430	345	767	400	12-Ø14	4-Ø13